


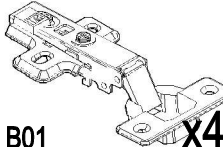





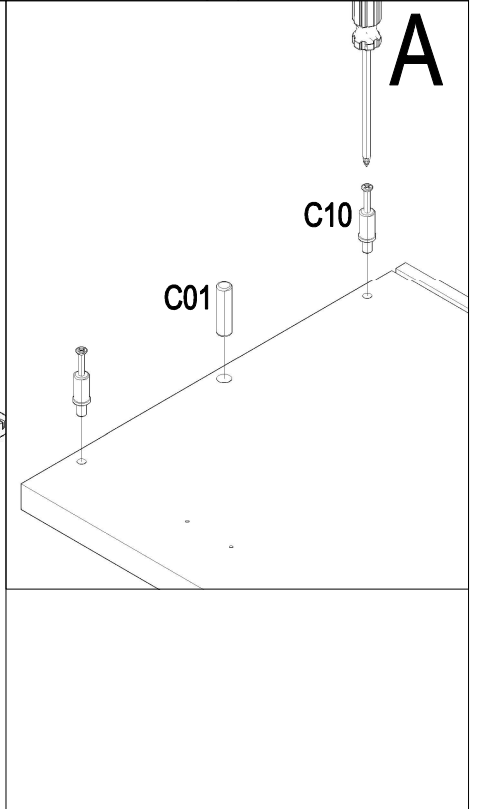
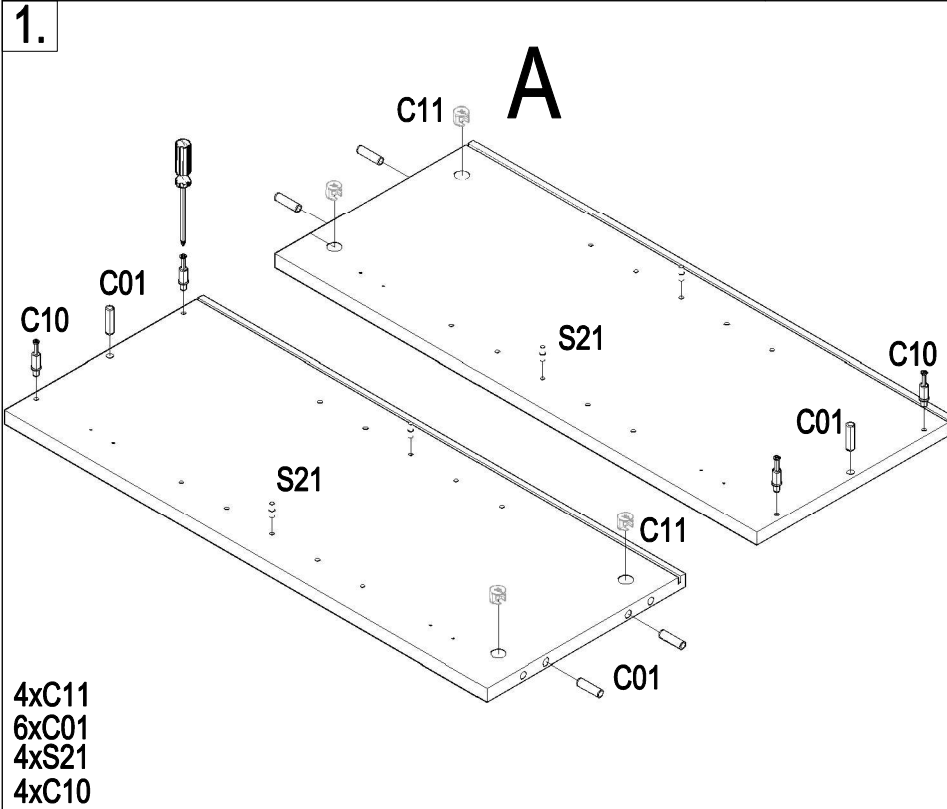
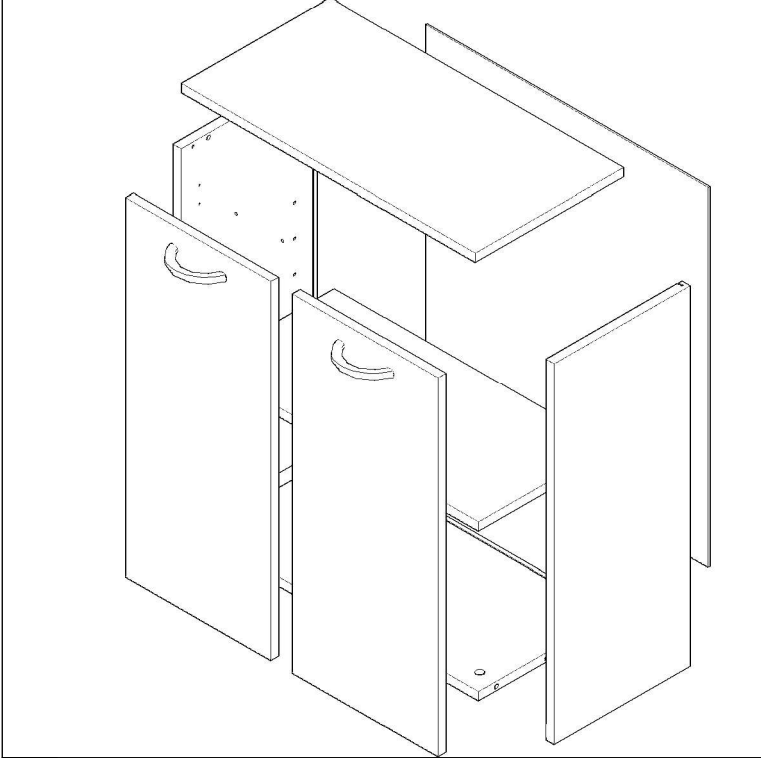
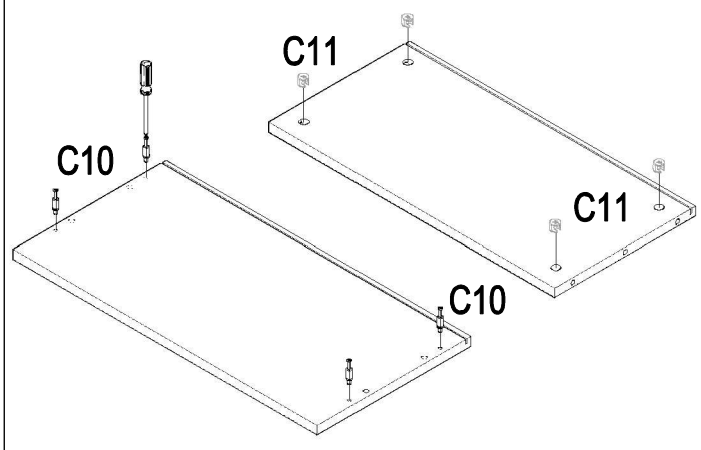


NR.54

<p>3.5x16</p>  <p>S01 x32</p>	 <p>C10 x8</p>	 <p>C11 x8</p>	 <p>B01 x4</p>	 <p>P01 x4</p>	<p>M4X22</p>  <p>S11 x4</p>
 <p>M01 x2</p>	 <p>S21 x4</p>	 <p>C01 x6</p>			

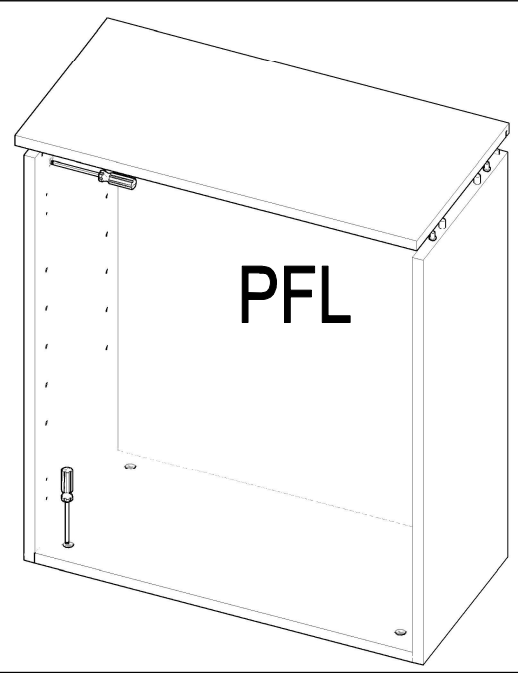


2.

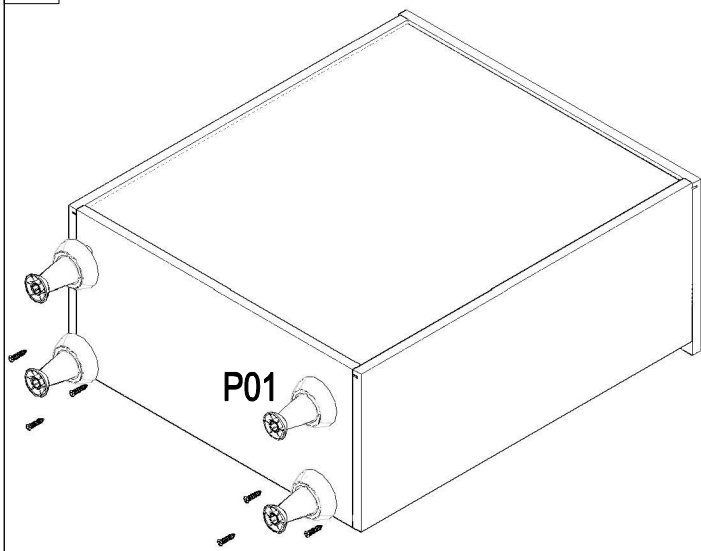


4xC10
4xC11

3.

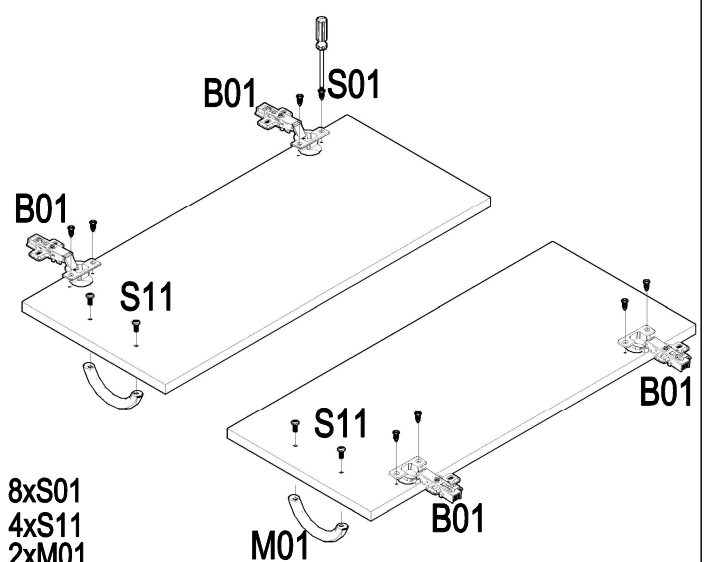


4.



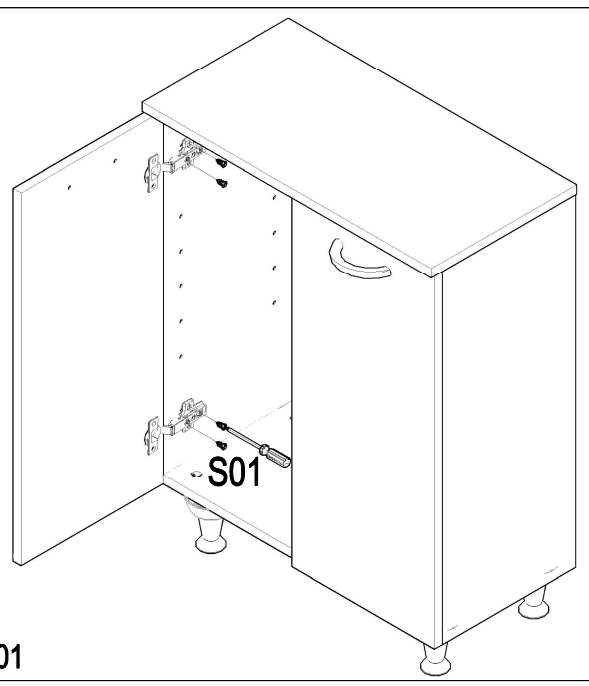
4xP01
16xS01

5.



8xS01
4xS11
2xM01
4xB01

6.



8xS01